

Tidal High-Flow Non-coring Needle Instructions for Use



7350 N. Ridgeway, Skokie, IL 60076 USA
tel. 847-674-7075 · fax 847-674-7066 · info@norfolkmedical.com

CAUTION: Federal (USA) Law restricts this device to sale by or on the order of a physician.

The Tidal High-Flow Needle is intended for one time use. Read instructions prior to use.

Indications

For the access of totally implantable vascular access ports (VAPs) to administer I.V. fluids, infusions drugs, and other fluids, and for the administration of blood or blood products, and/or withdrawal of blood as part of the therapy regimen.

Puncture Life for Norfolk Medical Ports

Needle Gauge	Puncture Life		Puncture Life after 25 Punctures with 16Ga or 18Ga Needle	
	Low-Profile Ports	Standard Profile Ports	Low-Profile Ports	Standard Profile Ports
22	1500	2000	400	800
20	1000	1500	200	400
19	1000	1500	200	400
18	150	250	-	-
16	100	175	-	-

Warnings

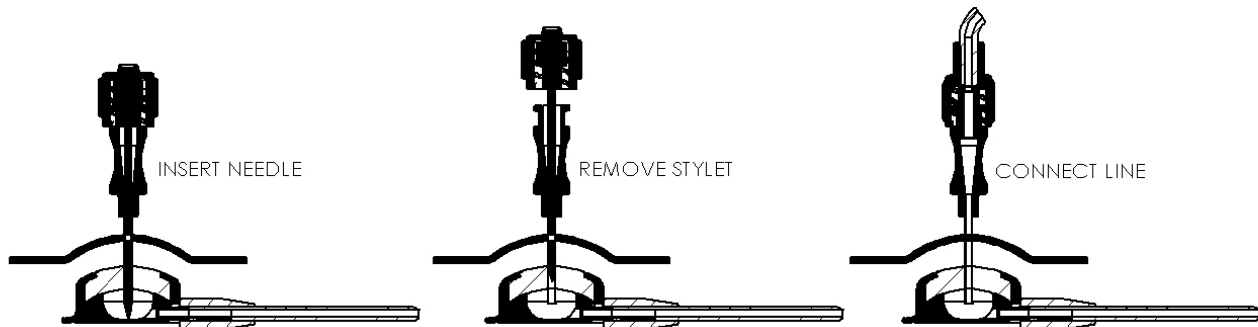
- Intended for **single patient use. DO NOT REUSE or RESTERILIZE.**
- After use, this product may be a potential biohazard. Handle and discard in accordance with accepted medical practice and applicable local, state and federal laws and regulations.

Precautions

- Instruct patient to hold breath when removing stylet to prevent risk of air embolism.

Instructions for Use

1. Locate the septum of the port to be accessed by palpation and prepare the skin area over the port according to accepted facility protocol.
2. Using sterile technique, ensure the stylet hub is locked onto the cannula hub.
3. Repalpate the port site and access the port holding the needle at a right angle to the skin.
4. Advance the needle through the septum carefully until the needle makes contact with the interior of the port.
5. Unscrew the stylet and pull back slightly. Advance the needle again until it contacts the interior of the port.
6. Remove the stylet from the cannula and connect to a primed syringe, infusion set, or other appropriate line.



NORFOLK MEDICAL DISCLAIMS ALL WARRANTIES, WHETHER EXPRESSED OR IMPLIED, INCLUDING ANY WARRANTY OF MERCHANTABILITY OR FITNESS FOR A PARTICULAR PURPOSE, AND NORFOLK MEDICAL WILL NOT BE LIABLE TO PURCHASER FOR ANY INCIDENTAL OR CONSEQUENTIAL DAMAGES ARISING OUT OF USE OR HANDLING OF THIS PRODUCT.