

CLEARVIEW™ MS

the Multiple Site Subcutaneous Delivery System

*“designed specifically for patients requiring multiple infusion sites
from a single source”*

Specify the ClearView MS for your patients and you will be benefiting from years of experience in subcutaneous infusion and from a company dedicated to the supply of innovative products for infusion therapy.

Multiple site subcutaneous delivery sets feature 2, 3 or 4 infusion disks which connect to a single infusion source. The transparent vinyl adhesive backed disks of the ClearView MS permit a clear view of all insertion sites.

FEATURES & BENEFITS

27 gauge x 6mm long needles...
.....to ensure patient comfort

Transparent vinyl infusion disks...
.....for easy site observation

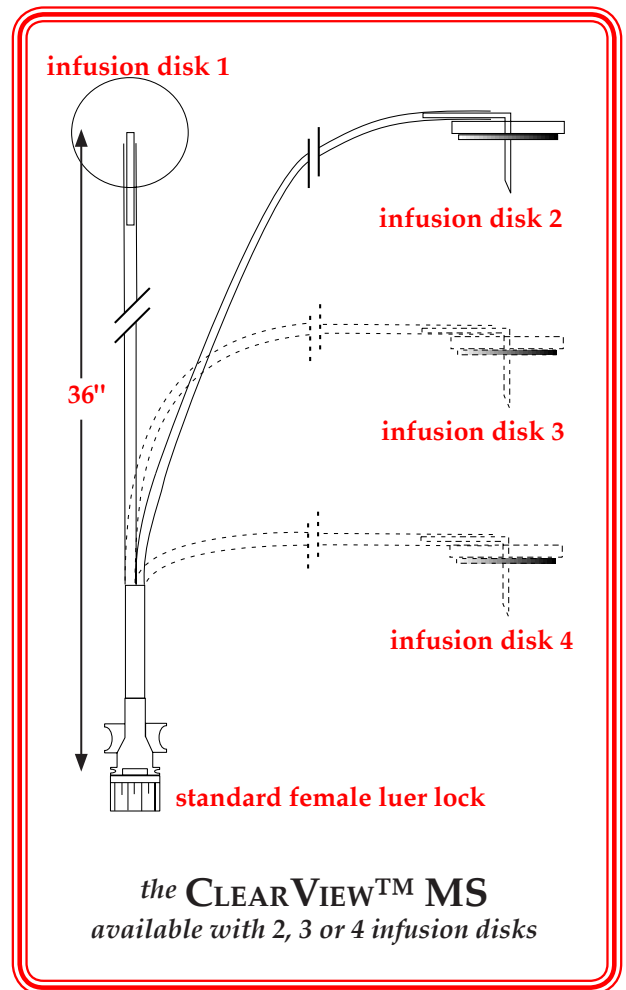
Adhesive backed infusion disks...
.....for secure placement

Disks connect to a common tubing
.....and single infusion source

Less invasive than IV delivery

More comfortable than IV delivery

*Multiple sites promote even dispersion of
the infused drug*



FROM THE LITERATURE

Hanchett et. al. suggest that subcutaneous administration of IgG avoids the numerous side effects that occur when IgG is given intravenously. The authors propose that subcutaneous administration offers the patient a relatively simple method to infuse independently at home. It is less painful and traumatic than intravenous access.¹

Gardulf et. al. concluded that SCIG therapy is an appreciated therapeutic alternative for adults and children in need of lifelong IgG replacement therapy. The subcutaneous option affords patients greater independence and improved control of their daily life. Patients reported experiencing improved vitality, mental health and social functioning.² The same author in an article published in the Lancet in 1995, concluded that subcutaneous administration of IgG is a safe and convenient way of providing immunoglobulins.³

1. **Hanchett M, et. al.** "Current Issues in Immunoglobulin Therapies." JAVA 2004. 9(3):156-58.

2. **Gardulf A, et. al.** "Children and adults with primary antibody deficiencies gain quality of life by subcutaneous IgG self-infusions at home." J. Allergy Clin. Immunol. 2004. 114(4):936-42.

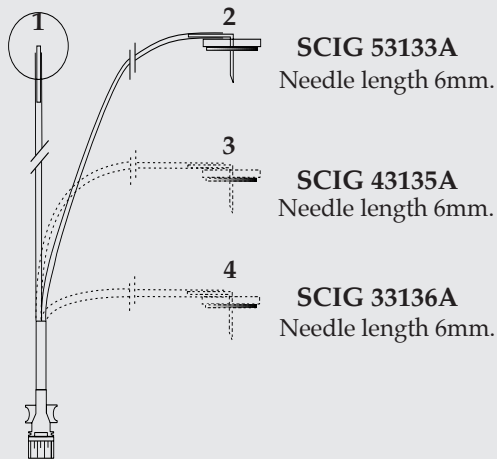
3. **Gardulf A, et. al.** "Subcutaneous immunoglobulin replacement in patients with primary antibody deficiencies: safety and costs." Lancet 1995. 11;345(8946):365-9.

For more information call 847-674-7075

Norfolk  Medical

Catalog Number	Product Description	Quantity
----------------	---------------------	----------

SCIG INFUSION SETS



SCIG 53133A
Needle length 6mm.

Two 36" microbore tubing extensions with **(2)** x 27 gauge ClearView self adhesive subcutaneous infusion disks.

6 per box

SCIG 43135A
Needle length 6mm.

Three 36" microbore tubing extensions with **(3)** x 27 gauge ClearView self adhesive subcutaneous infusion disks.

6 per box

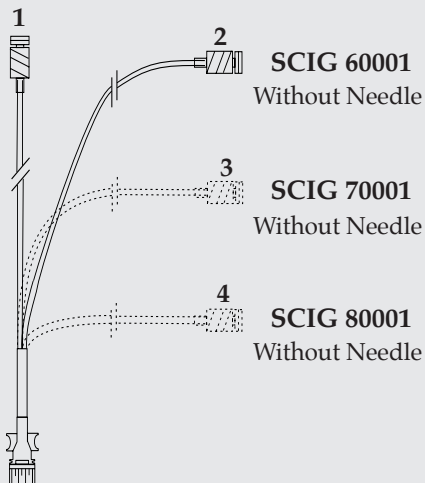
SCIG 33136A
Needle length 6mm.

Four 36" microbore tubing extensions with **(4)** x 27 gauge ClearView self adhesive subcutaneous infusion disks.

6 per box

SCIG EXTENSION SETS

For the connection of multiple needle sets to a common infusion source. Needle sets optional extra.



SCIG 60001
Without Needle

Two 20" microbore extensions with male luer locks. A subcutaneous infusion set must be added and connected to the Luer lock connection.

6 per box

SCIG 70001
Without Needle

Three 20" microbore extensions with male luer locks. A subcutaneous infusion set must be added and connected to the Luer lock connection.

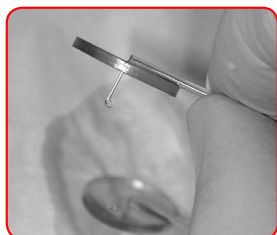
6 per box

SCIG 80001
Without Needle

Four 20" microbore extensions with male luer locks. A subcutaneous infusion set must be added and connected to the Luer lock connection.

6 per box

Placement of the SCIG multiple infusion system



Open the sterile pouch and purge the air from each infusion set.



Connect the common tube of the infusion sets to the single infusion source.



Place the infusion disk on the skin and apply the transparent dressing. Repeat until all disks are placed.